



2-070 Swinghandle RS PrB



Advantages

- Swinghandle TRIMLINE for cutout B.
- For round rods, for key cylinder, insert or padlock.
- Locking stub included in handle assembly.
- IP65 according to DIN EN 60529.
- RH / LH application.
- Grounding by grounding clip (optional).
- Key cylinders are supplied with 2 keys.

Materials

- **Swinghandle and dish:** see table
- **Padlock eye:** AISI 316
- **Cap:** PA, black
- **O-ring:** NBR

Remarks

(S) Door-thickness 1.5 - 2.5mm
For version for rod latch and flat rods see product system 3-070.
Locking inserts must be ordered separately, see c).
1. stroke 18mm
2. clearance



Swinghandle zinc die, with key cylinder

| | Part Number | Latching type | Surface handle | Surface dish | Installation type | Delivery Unit |
|----|-------------------|------------------------|----------------|---------------|-------------------|---------------|
| a) | 407-9003.00-00000 | keyed alike DIRAK 1333 | black | black | screw-on | 1 pc. |
| a) | 407-9007.00-00000 | keyed alike DIRAK 1333 | chrome plated | chrome plated | screw-on | 1 pc. |
| a) | 407-9011.00-00000 | keyed alike DIRAK 1333 | chrome plated | black | screw-on | 1 pc. |
| a) | 407-9017.00-00000 | keyed alike DIRAK 1333 | black | chrome plated | screw-on | 1 pc. |
| a) | 507-9003.00-00000 | keyed alike DS200 | black | black | screw-on | 1 pc. |
| a) | 507-9007.00-00000 | keyed alike DS200 | chrome plated | chrome plated | screw-on | 1 pc. |
| a) | 507-9011.00-00000 | keyed alike DS200 | chrome plated | black | screw-on | 1 pc. |
| a) | 507-9017.00-00000 | keyed alike DS200 | black | chrome plated | screw-on | 1 pc. |
| a) | 407-9008.00-00000 | keyed different | chrome plated | chrome plated | screw-on | 1 pc. |
| a) | 407-9004.00-00000 | keyed different | black | black | screw-on | 1 pc. |
| a) | 407-9012.00-00000 | keyed different | chrome plated | black | screw-on | 1 pc. |
| a) | 407-9018.00-00000 | keyed different | black | chrome plated | screw-on | 1 pc. |

Swinghandle zinc die, dish PA with key cylinder

| | Part Number | Latching type | Surface handle | Surface dish | Installation type | Delivery Unit |
|----|-------------------|------------------------|----------------|--------------|-------------------|---------------|
| a) | 407-9023.00-00000 | keyed alike DIRAK 1333 | black | black | screw-on | 1 pc. |
| a) | 407-9027.00-00000 | keyed alike DIRAK 1333 | chrome plated | black | screw-on | 1 pc. |
| a) | 507-9023.00-00000 | keyed alike DS200 | black | black | screw-on | 1 pc. |
| a) | 507-9027.00-00000 | keyed alike DS200 | chrome plated | black | screw-on | 1 pc. |
| a) | 407-9024.00-00000 | keyed different | black | black | screw-on | 1 pc. |
| a) | 407-9028.00-00000 | keyed different | chrome plated | black | screw-on | 1 pc. |

Swinghandle zinc die, with key cylinder and padlock eye

| | Part Number | Latching type | Surface handle | Surface dish | Installation type | Delivery Unit |
|----|--------------------|------------------------|-----------------------|---------------------|--------------------------|----------------------|
| b) | 407-9029.00-00000 | keyed alike DIRAK 1333 | chrome plated | chrome plated | screw-on | 1 pc. |
| b) | 407-9031.00-00000 | keyed alike DIRAK 1333 | black | black | screw-on | 1 pc. |
| b) | 407-9030.00-00000 | keyed different | chrome plated | chrome plated | screw-on | 1 pc. |
| b) | 407-9032.00-00000 | keyed different | black | black | screw-on | 1 pc. |

Swinghandle zinc die for insert

| | Part Number | Surface handle | Surface dish | Installation type | Delivery Unit |
|----|--------------------|-----------------------|---------------------|--------------------------|----------------------|
| c) | 407-9102.00-00000 | black | black | screw-on | 1 pc. |
| c) | 407-9104.00-00000 | chrome plated | chrome plated | screw-on | 1 pc. |
| c) | 407-9106.00-00000 | chrome plated | black | screw-on | 1 pc. |
| c) | 407-9108.00-00000 | black | chrome plated | screw-on | 1 pc. |

Swinghandle zinc die, dish PA for insert

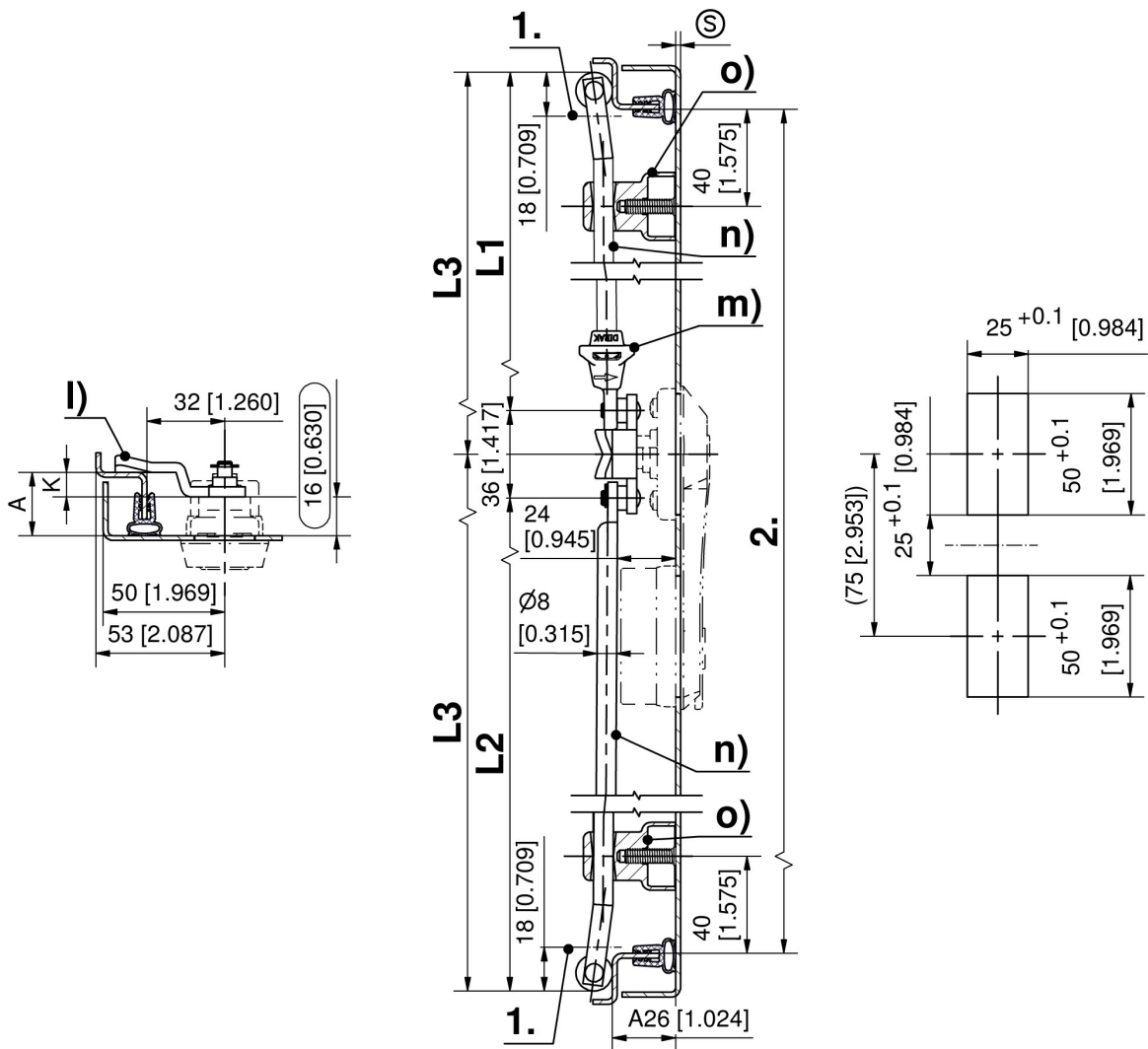
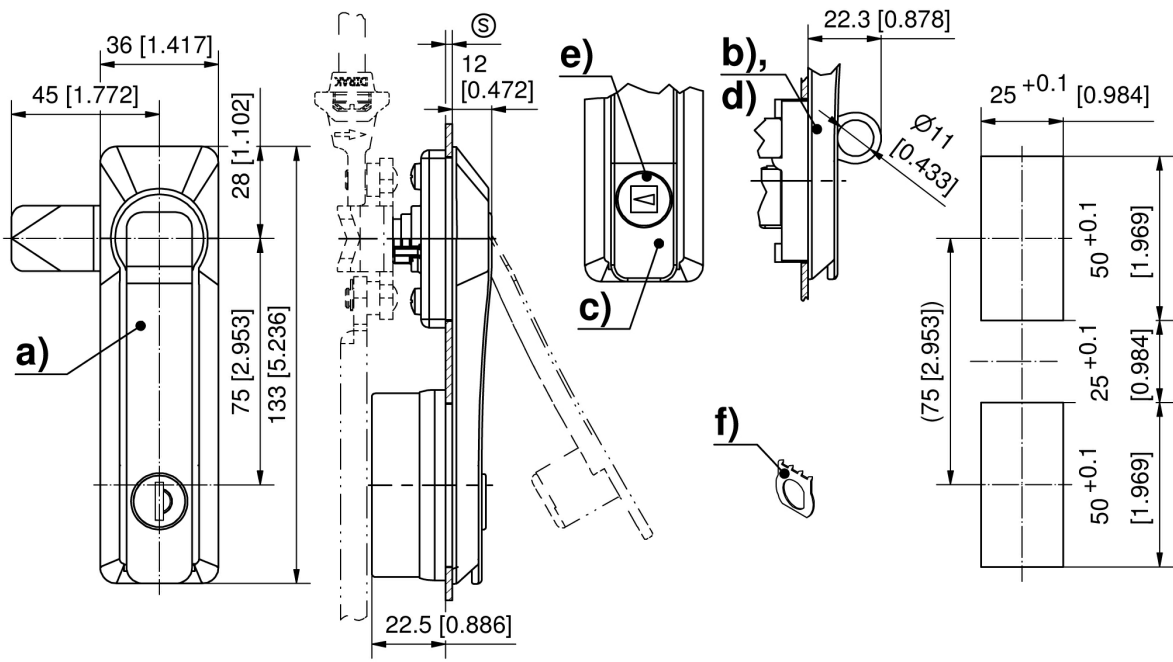
| | Part Number | Surface handle | Surface dish | Installation type | Delivery Unit |
|----|--------------------|-----------------------|---------------------|--------------------------|----------------------|
| c) | 407-9118.00-00000 | black | black | screw-on | 1 pc. |
| c) | 407-9120.00-00000 | chrome plated | black | screw-on | 1 pc. |

Swinghandle zinc die for insert and padlock eye

| | Part Number | Surface handle | Dish material | Surface dish | Installation type | Delivery Unit |
|----|-------------------|----------------|---------------|---------------|-------------------|---------------|
| d) | 407-9109.00-00000 | chrome plated | zinc die | chrome plated | screw-on | 1 pc. |
| d) | 407-9110.00-00000 | black | zinc die | black | screw-on | 1 pc. |
| d) | 407-9111.00-00000 | black | zinc die | chrome plated | screw-on | 1 pc. |
| d) | 407-9112.00-00000 | chrome plated | zinc die | black | screw-on | 1 pc. |
| d) | 407-9121.00-00000 | black | PA | black | screw-on | 1 pc. |
| d) | 407-9122.00-00000 | chrome plated | PA | black | screw-on | 1 pc. |

* Accessories

- e) 2-141 **Inserts**
- f) 3-011 **Grounding Clip Stainless Steel**
- l) 1-102 **Cams L35/45 Steel**
- l) 1-105 **Roller Cam height adjustable**
- l) 2-150 **3-Point Cam L45, Rod Control**
- m) 1-181 **Adapter for Round Rods Ø8mm PA**
- m) 1-181.01 **Adapter for Round Rods Ø8mm / Ø10mm Zinc Die**
- n) 1-170 **Round Rods with Eye**
- n) 1-180 **Round Rods for Adapter**
- o) 1-190 **Rod Guides RS**
- 6-100 **Wrenches and Keys**
- 6-101 **Universal key**



Formula for rods with eye and rollers:
cutout in the door center (rod length varies)

$$L1 = \frac{\text{upper rod}}{2} \frac{2 \cdot \text{clearance} - 12\text{mm}[0.472]}{2 [0.079]} - 38 \text{ mm} [1.496] \quad L2 = \frac{\text{lower rod}}{2} \frac{2 \cdot \text{clearance} - 12\text{mm}[0.472]}{2 [0.079]} + 38 \text{ mm} [1.496]$$

cutout outside the door center (rod length equal)

$$L3 = \frac{2 \cdot \text{clearance} - 12\text{mm}[0.472]}{2[0.079]}$$